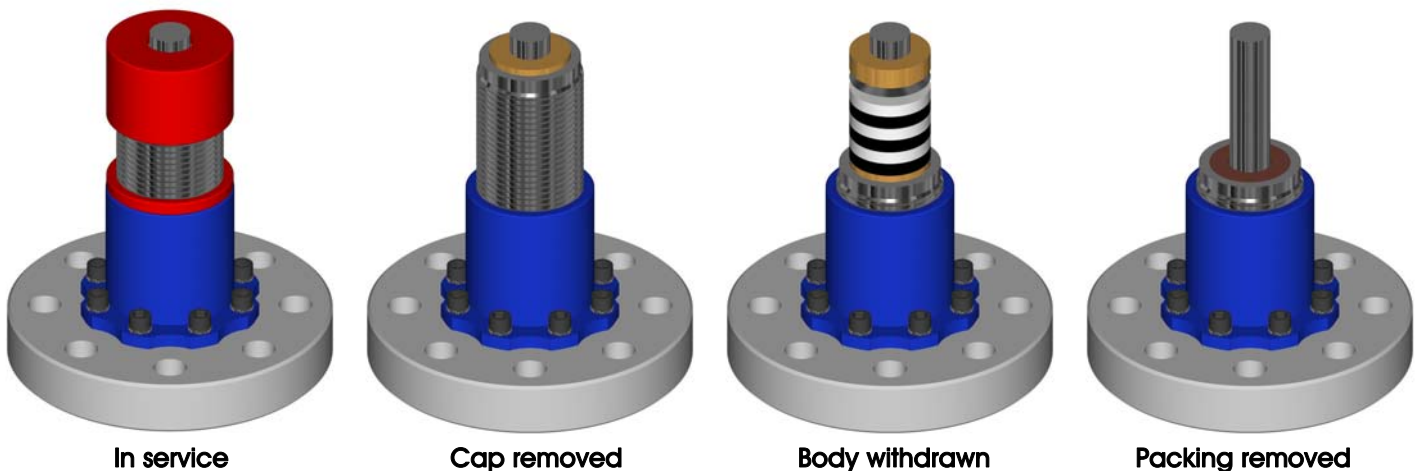


Quick-Change Packing System (Patent Pending)

The innovative Dura Products **Quick Change Packing System** allows the operator to change the packing quickly, easily and reliably.

Features:

- A revolutionary design that moves the packing chamber allowing direct access to the packing
- No more time wasted trying to dig out old and hardened packing
- Metal-to-metal seal between packing chamber and body
- NACE MR-01-75 compliant components for H₂S service
- Safer for the operator; no sharp tools required
- Designed in accordance with ISO 9001 procedures



Contact: Merlin Thiry (Dura Products Sales Manager) for more details or to discuss your application.

Phone: (403) 531-5614
Email: mthiry.dura@cefranklin.com
Web: www.duraproductsinc.com